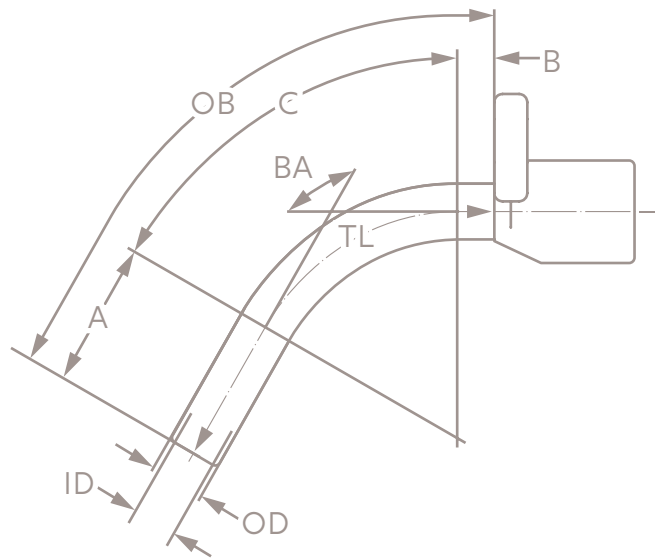


Technical Data

Tracoe Mini for children

REF 355



Size	ID	OD	A	C	B	TL	OB	BA
	mm	mm	mm	mm	mm	mm	mm	°
2.5	2.5	3.6	8	22	2	32	34	120
3.0	3.0	4.3	10	24	2	36	39	120
3.5	3.5	5.0	12	25	3	40	43	120
4.0	4.0	5.6	14	27	3	44	48	120
4.5	4.5	6.3	16	28	4	48	52	120
5.0	5.0	7.0	18	28	4	50	55	120
5.5	5.5	7.6	20	30	5	55	60	120
6.0	6.0	8.4	22	35	5	62	67	120

ID: inside diameter (clear width) of tube; **OD:** outside diameter of tube;
A: length; **C:** length; **B:** length; **TL:** length along centre line from start of neck flange to bottom of tube; **OB:** length along outer bend from start of neck flange to bottom of tube; **BA:** bending angle

Head office:
 Atos Medical AB
 Hyllie Boulevard 17
 SE-215 32 Malmö, Sweden
 Tel: +46 (0) 415 198 00
 Email: info@atosmedical.com

Manufacturer:
 Tracoe Medical GmbH
 Reichelsheimer Straße 1/3
 55268 Nieder-Olm, Germany

MC3054-TcEN 202306

© Coloplast A/S. All rights reserved.
 Atos and the Atos Medical logo are
 trademarks of Coloplast A/S.